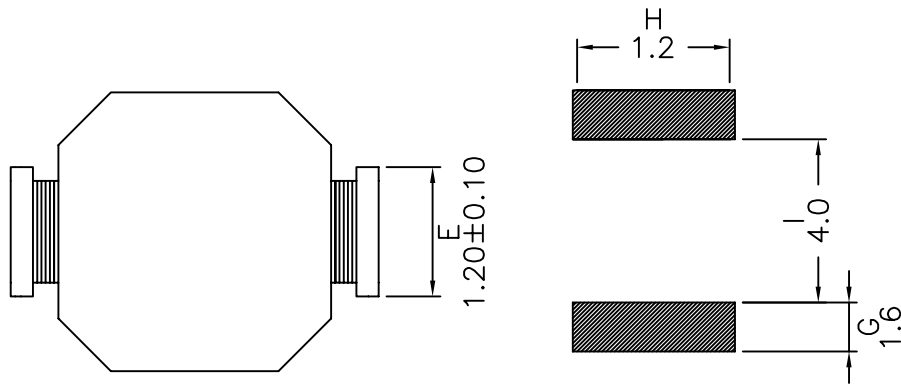
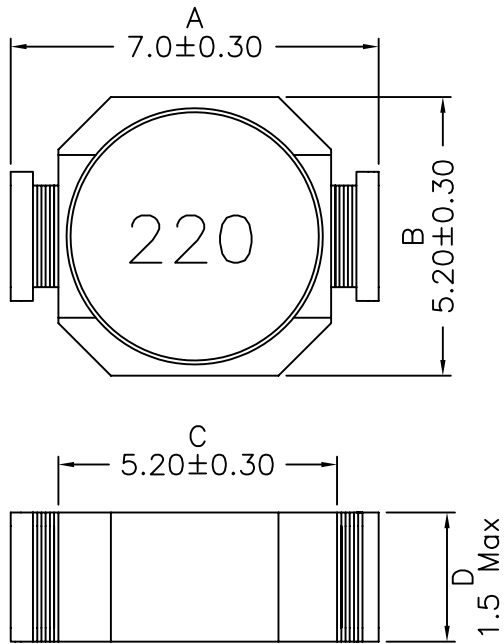


1. Dimensions:

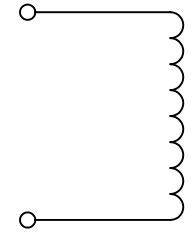


(BOTTOM VIEW)

PRELIMINARY

DOC REV: A/1

2. Schematic:



3. Electrical Specs:

INDUCTANCE: $22.0\mu\text{H} \pm 20\%$ @100KHz 0.1V

DCR: $0.880 \pm 20\%$ Ohms

IDC: 0.50A

INDUCTANCE DROP = 10% Typ. AT RATED ISAT.

Notes:

1. Solderability: Leads shall meet MIL-STD-202, Method 208D for solderability.
2. Flammability: UL94V-0
3. ASTM oxygen index: > 28%
4. Temperature rating: 155°C. UL file E151556
5. Operating Temperature Range: -40°C to +85°C

XFMRs Inc	Title: SMT POWER INDUCTORS		
	UNLESS OTHERWISE SPECIFIED TOLERANCES: .xxx ± 0.010 /.xx ± 0.25 Dimensions in INCH/MM	P/N: XFSIMDR1605-220M	REV A
Scale 2.5:1 SHT 1 OF 1	DWN.	Juan Mao	Jan-10-04
	CHK.	YK Liao	Jan-10-04
	APP.	BW	Jan-10-04

PROPRIETARY

Document is the property of XFMRs Group & is not allowed to be duplicated without authorization.